

Obstructed Reach Range

If an element requires a person to reach over an obstruction (such as, a check writing stand, a break room sink or) while in a forward approach, a knee space must be provided.

If the object is located no more than 20 inches from the leading edge of the obstruction, the highest operable part of the object must be at 48 inches or lower.

If the object is provided between 20 and 25 inches from the edge of the obstruction, then highest operable part of the element must be mounted at 44 inches or lower.

In Figure 308.2.2, right, you will notice that the detail does NOT show how deep the counter should be. A counter can actually be as deep as you want as long as the reach range is maintained.

Notice in the detail below, the top dimension shows that the depth of the counter is 25 inches. The counter could be 26 inches or deeper, the depth is NOT restricted. What IS restricted, is the distance between the object someone wishes to access AND the edge of the counter.

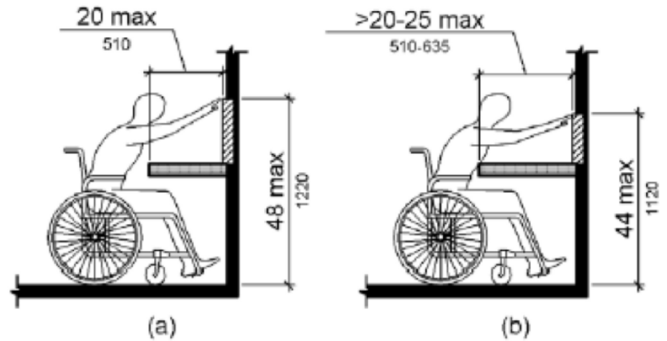
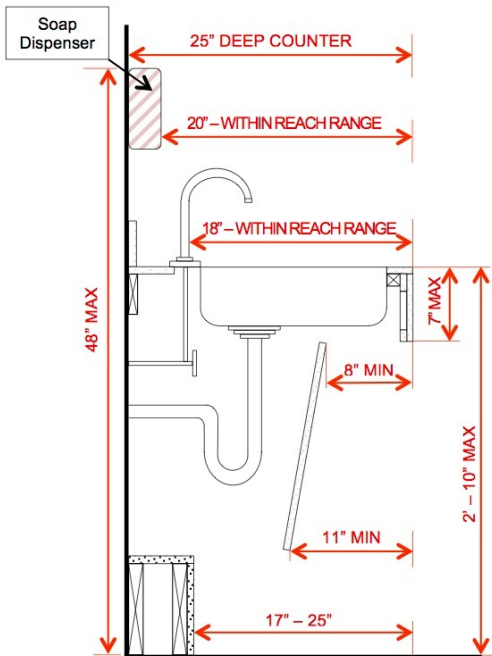


Figure 308.2.2 Obstructed High Forward Reach



The final thing to remember when installing an element is the RATIO between the height of the operable part of the element and the depth of the obstruction.

The sink section on the left, shows the soap dispenser mounted at 20 inches from the edge of the sink. That distance is acceptable because the entire dispenser is mounted within 48 inches of the finish floor. The faucet is also acceptable for the same reasons.

In the Break Room below, the light switch measured 13 inches above the counter top and the counter height measured 36 inches above the finish floor. Because the counter was 24 inches deep, the light switch does not comply.



"Accessible Design is Good Design."
- Steve Ballmer
*
Look for our next issue in the spring.
*
Have a Merry Christmas & Happy New Year.